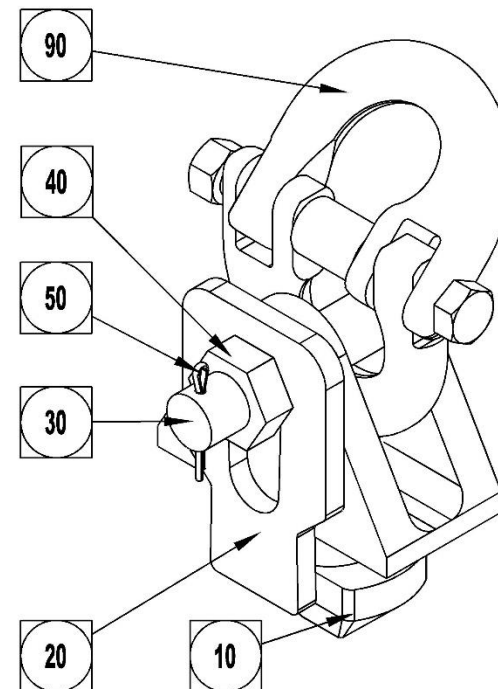
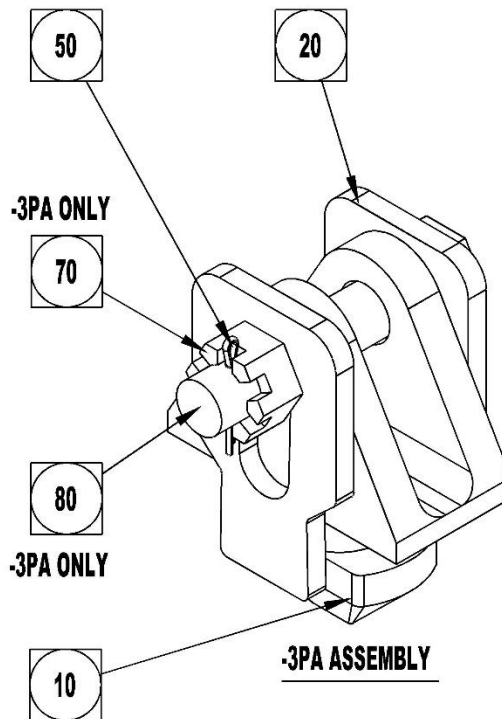
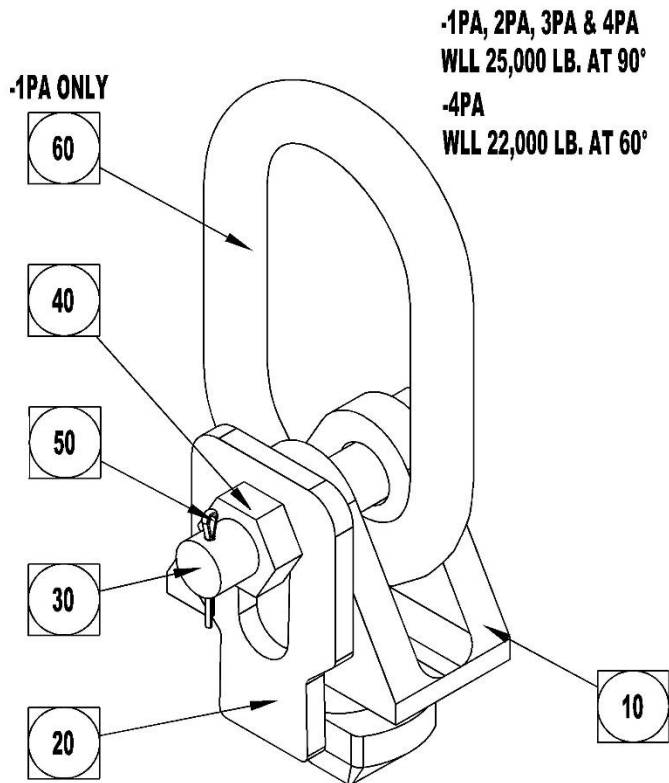


TOP ISO LIFT LUG, WLL 25,000 LB. (20901AA)

Cage Code: 65059 | Drawing No: S20901AA | Revision: A | Sheet: 1 of 3

UNLESS OTHERWISE SPECIFIED, DIMENSIONS ARE IN INCHES



-1PA & -2PA ASSEMBLIES

**NOTE: -2PA SAME AS -1PA
EXCEPT WITH NO RING**

NOTES:

- P/N: 20901AA-1PA LIFT LUG WITH RING
20901AA-2PA LIFT LUG W/O RING
20901AA-3PA DOUBLE GRAVITY LUG W/O RING
20901AA-4PA LIFT LUG WITH FORGED FLEXIBLE LINK
- OLD P/N: 72009-1

To avoid lifter failure, potential death and property damage, never exceed WLL (Working Load Limit).

This document contains the proprietary information of Tandemloc, Inc. and your access and use shall be, and is at all times, pursuant to and limited by the Tandemloc, Inc. Terms of Use.

You shall not, and shall not encourage, assist, or authorize another party to copy, distribute, publicly display, modify, reverse engineer, decompile, or take any other action to reproduce this document or the information contained herein. © Copyright 2014 by Tandemloc, Inc.

Dimensions are subject to manufacturing tolerance and change.



Email: info@tandemloc.com • www.tandemloc.com

824 Highway 101 • Havelock, NC 28532

Tel: 1.800.258.7324 (252.447.7155)

FAX 1.800.892.3273 (252.447.5502)

Tandemloc, Inc. designs, manufactures and tests lifting, securing and mobilizing components for all industries. See our website for details and important safety information.

Read all safety labels and instructions prior to use. Product to be used by qualified personnel only.

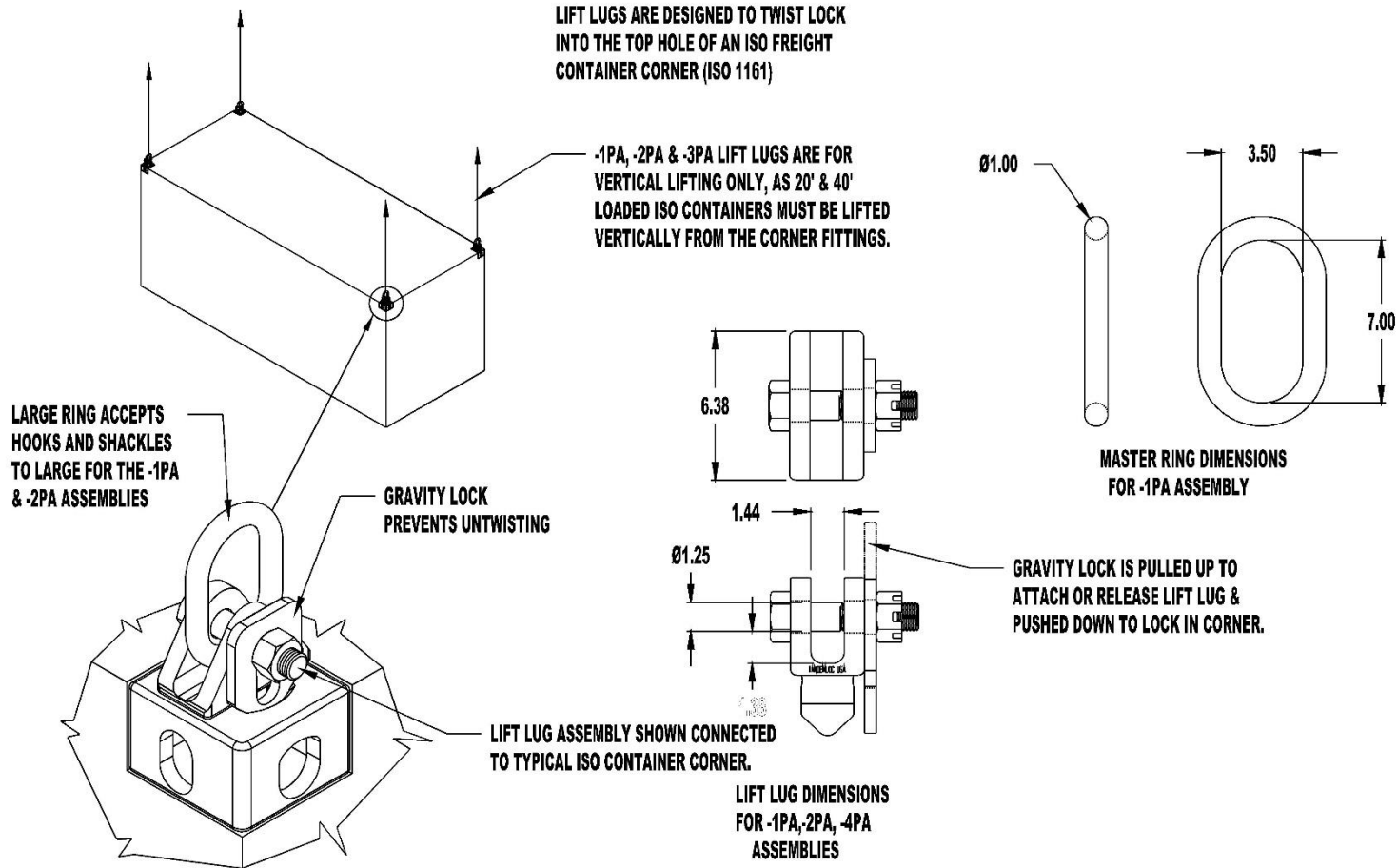
TOP ISO LIFT LUG, WLL 25,000 LB. (20901AA)

Cage Code: 65059 | Drawing No: S20901AA | Revision: A | Sheet: 2 of 3

UNLESS OTHERWISE SPECIFIED, DIMENSIONS ARE IN INCHES

USE DATA

LIFT LUGS ARE DESIGNED TO TWIST LOCK INTO THE TOP HOLE OF AN ISO FREIGHT CONTAINER CORNER (ISO 1161)



To avoid lifter failure, potential death and property damage, never exceed WLL (Working Load Limit).

This document contains the proprietary information of Tandemloc, Inc. and your access and use shall be, and is at all times, pursuant to and limited by the Tandemloc, Inc. Terms of Use.

You shall not, and shall not encourage, assist, or authorize another party to copy, distribute, publicly display, modify, reverse engineer, decompile, or take any other action to reproduce this document or the information contained herein. © Copyright 2014 by Tandemloc, Inc.

Dimensions are subject to manufacturing tolerance and change.



Email: info@tandemloc.com • www.tandemloc.com

824 Highway 101 • Havelock, NC 28532

Tel: 1.800.258.7324 (252.447.7155)

FAX 1.800.892.3273 (252.447.5502)

Tandemloc, Inc. designs, manufactures and tests lifting, securing and mobilizing components for all industries. See our website for details and important safety information.

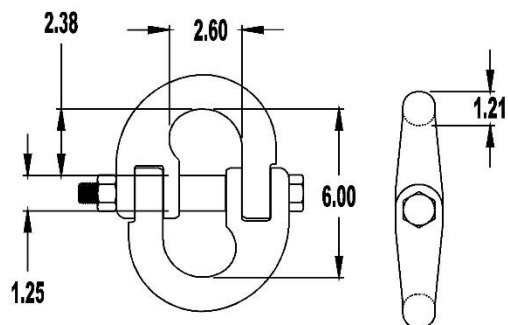
Read all safety labels and instructions prior to use. Product to be used by qualified personnel only.

TOP ISO LIFT LUG, WLL 25,000 LB. (20901AA)

Cage Code: 65059 | Drawing No: S20901AA | Revision: A | Sheet: 3 of 3

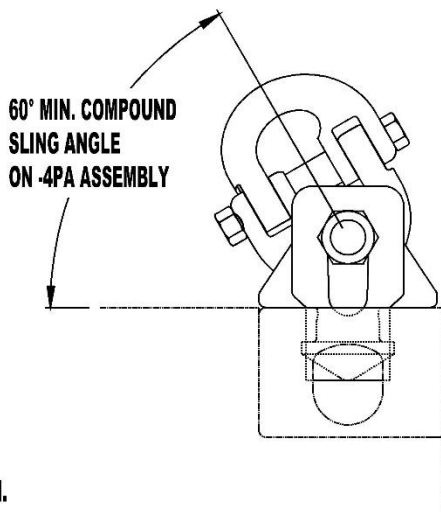
UNLESS OTHERWISE SPECIFIED, DIMENSIONS ARE IN INCHES

USE DATA

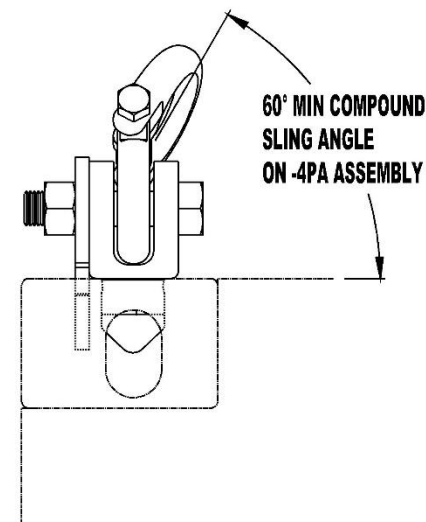


FLEX LINK DIMENSIONS
FOR -4PA ASSEMBLY

**-4PA
LIFT LUG IS FOR ANGULAR LIFTING, FROM ISO
CORNER FITTING (ISO 1161) IS PERMISSIBLE
FOR MOST EMPTY ISO CONTAINERS AND SPECIAL
CONTAINERS MADE TO WITHSTAND THE
COMPRESSIVE FORCE OF AN ANGULAR LIFT
CONSULT ISO 3874 FOR DEFINITIVE USAGE INFORMATION.**



60° MIN. COMPOUND
SLING ANGLE
ON -4PA ASSEMBLY



60° MIN COMPOUND
SLING ANGLE
ON -4PA ASSEMBLY

To avoid lifter failure, potential death and property damage, never exceed WLL (Working Load Limit).

This document contains the proprietary information of Tandemloc, Inc. and your access and use shall be, and is at all times, pursuant to and limited by the Tandemloc, Inc. Terms of Use.

You shall not, and shall not encourage, assist, or authorize another party to copy, distribute, publicly display, modify, reverse engineer, decompile, or take any other action to reproduce this document or the information contained herein. © Copyright 2014 by Tandemloc, Inc.

Dimensions are subject to manufacturing tolerance and change.



Email: info@tandemloc.com • www.tandemloc.com

824 Highway 101 • Havelock, NC 28532

Tel: 1.800.258.7324 (252.447.7155)

FAX 1.800.892.3273 (252.447.5502)

Tandemloc, Inc. designs, manufactures and tests lifting, securing and mobilizing components for all industries. See our website for details and important safety information.

Read all safety labels and instructions prior to use. Product to be used by qualified personnel only.