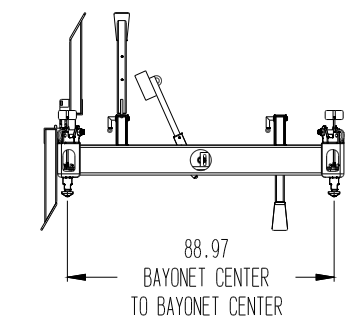
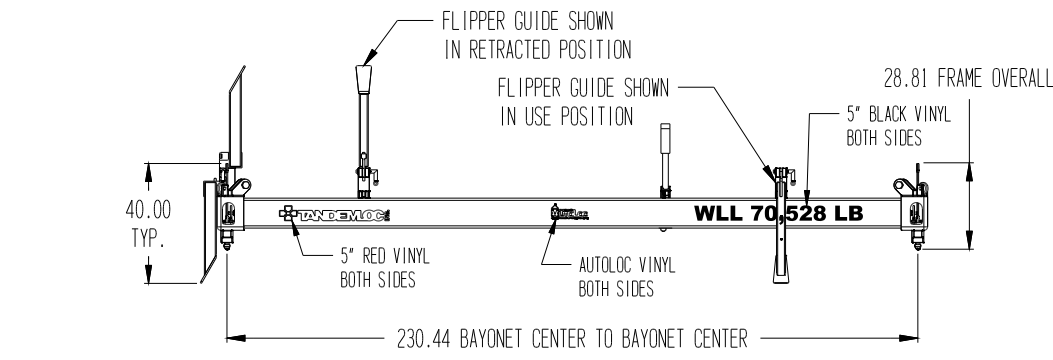


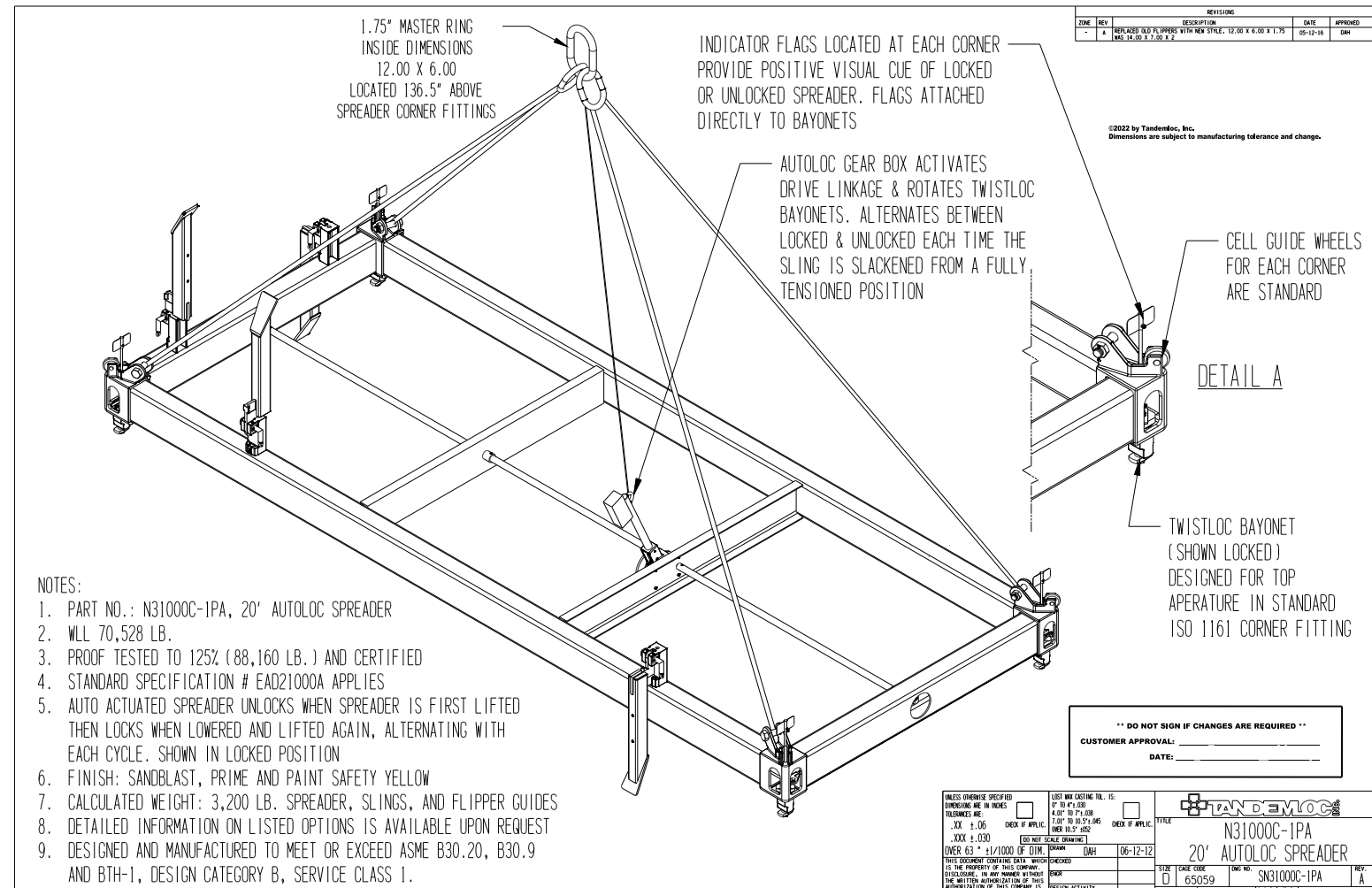
©2022 by Tandemloc, Inc.  
Dimensions are subject to manufacturing tolerance and change.



- NOTES:
- PART NO.: N31000C-1PA, 20' AUTOLOC SPREADER
  - OUTSIDE DIMENSIONS OF SPREADER (LENGTH AND WIDTH) LESS THAN OUTSIDE DIMENSIONS OF LIFTED CONTAINER

**\*\* DO NOT SIGN IF CHANGES ARE REQUIRED \*\***  
CUSTOMER APPROVAL: \_\_\_\_\_  
DATE: \_\_\_\_\_

UNLESS OTHERWISE SPECIFIED		LIST ALL CASTING TOL. IS:		TANDEMLOC	
TOLERANCES ARE:	FINISH:	FINISH:	FINISH:	TITLE:	DATE:
.XX ± .06	AS PER Dwg	4.00" TO 7.00"	AS PER Dwg	N31000C-1PA	06-12-12
.XXX ± .030	AS PER Dwg	7.00" TO 10.00"	AS PER Dwg	20' AUTOLOC SPREADER	
OVER .63" ± 1/1000 OF DIM.	AS PER Dwg	OVER 10.00"	AS PER Dwg		
THIS DOCUMENT CONTAINS DATA WHICH IS THE PROPERTY OF THIS COMPANY. IT IS TO BE KEPT IN CONFIDENCE AND NOT TO BE REPRODUCED OR TRANSMITTED IN ANY MANNER WITHOUT THE WRITTEN AUTHORIZATION OF THIS COMPANY.				SCALE:	SHEET 2 OF 2



UNLESS OTHERWISE SPECIFIED		LIST ALL CASTING TOL. IS:		TANDEMLOC	
TOLERANCES ARE:	FINISH:	FINISH:	FINISH:	TITLE:	DATE:
.XX ± .06	AS PER Dwg	4.00" TO 7.00"	AS PER Dwg	N31000C-1PA	06-12-12
.XXX ± .030	AS PER Dwg	7.00" TO 10.00"	AS PER Dwg	20' AUTOLOC SPREADER	
OVER .63" ± 1/1000 OF DIM.	AS PER Dwg	OVER 10.00"	AS PER Dwg		
THIS DOCUMENT CONTAINS DATA WHICH IS THE PROPERTY OF THIS COMPANY. IT IS TO BE KEPT IN CONFIDENCE AND NOT TO BE REPRODUCED OR TRANSMITTED IN ANY MANNER WITHOUT THE WRITTEN AUTHORIZATION OF THIS COMPANY.				SCALE:	SHEET 1 OF 2

- NOTES:
- PART NO.: N31000C-1PA, 20' AUTOLOC SPREADER
  - WLL 70,528 LB.
  - PROOF TESTED TO 125% (88,160 LB.) AND CERTIFIED
  - STANDARD SPECIFICATION # EAD21000A APPLIES
  - AUTO ACTUATED SPREADER UNLOCKS WHEN SPREADER IS FIRST LIFTED THEN LOCKS WHEN LOWERED AND LIFTED AGAIN, ALTERNATING WITH EACH CYCLE. SHOWN IN LOCKED POSITION
  - FINISH: SANDBLAST, PRIME AND PAINT SAFETY YELLOW
  - CALCULATED WEIGHT: 3,200 LB. SPREADER, SLINGS, AND FLIPPER GUIDES
  - DETAILED INFORMATION ON LISTED OPTIONS IS AVAILABLE UPON REQUEST
  - DESIGNED AND MANUFACTURED TO MEET OR EXCEED ASME B30.20, B30.9 AND BTH-1, DESIGN CATEGORY B, SERVICE CLASS 1.

**\*\* DO NOT SIGN IF CHANGES ARE REQUIRED \*\***  
CUSTOMER APPROVAL: \_\_\_\_\_  
DATE: \_\_\_\_\_

UNLESS OTHERWISE SPECIFIED		LIST ALL CASTING TOL. IS:		TANDEMLOC	
TOLERANCES ARE:	FINISH:	FINISH:	FINISH:	TITLE:	DATE:
.XX ± .06	AS PER Dwg	4.00" TO 7.00"	AS PER Dwg	N31000C-1PA	06-12-12
.XXX ± .030	AS PER Dwg	7.00" TO 10.00"	AS PER Dwg	20' AUTOLOC SPREADER	
OVER .63" ± 1/1000 OF DIM.	AS PER Dwg	OVER 10.00"	AS PER Dwg		
THIS DOCUMENT CONTAINS DATA WHICH IS THE PROPERTY OF THIS COMPANY. IT IS TO BE KEPT IN CONFIDENCE AND NOT TO BE REPRODUCED OR TRANSMITTED IN ANY MANNER WITHOUT THE WRITTEN AUTHORIZATION OF THIS COMPANY.				SCALE:	SHEET 1 OF 2