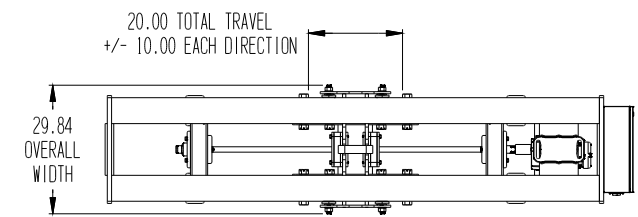
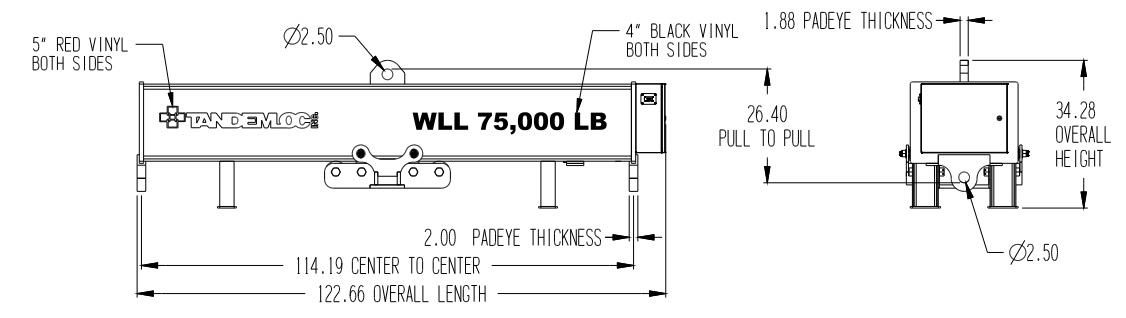


REVISIONS			
REV	DESCRIPTION	DATE	APPROVED
A	1.88 WAS 2.50, 114.19 WAS 120.00	12-01-23	DAH



**** DO NOT SIGN IF CHANGES ARE REQUIRED ****
 CUSTOMER APPROVAL: _____
 DATE: _____

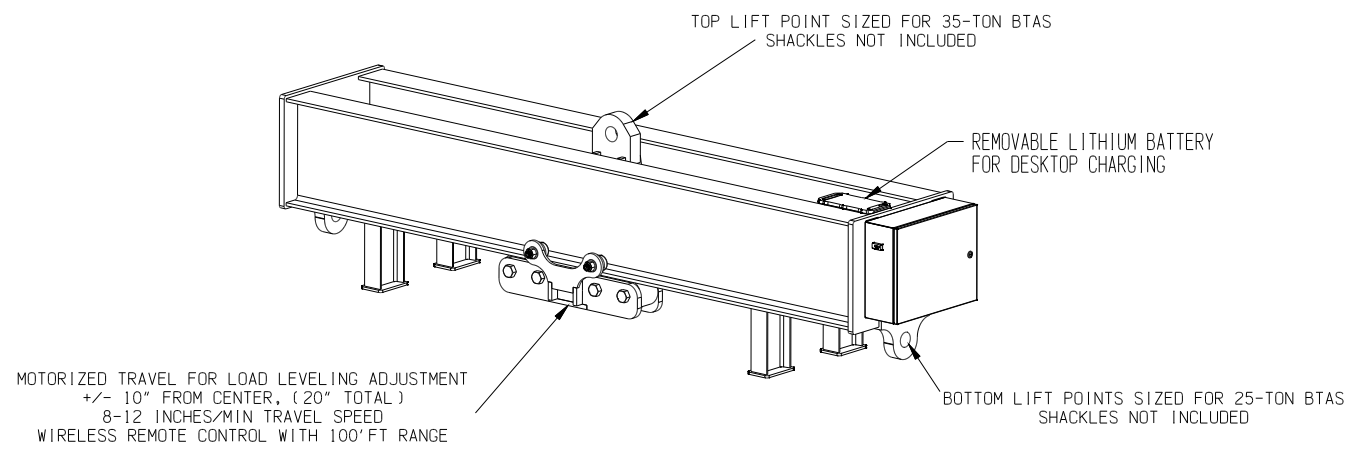
©2023 by Tandemloc, Inc.
 Dimensions are subject to manufacturing tolerance and change.



- NOTES:
- PART NO.: AZ34A00-00A-PA, ELECTRIC LOAD-LEVELER
 - WLL: 75,000 LB.
 - PROOF TESTED TO 125% (93,750 LB.) AND CERTIFIED
 - STANDARD SPECIFICATION # EAD21000A APPLIES
 - FINISH: SANDBLAST AND PRIME AND PAINT SW6883 RAUCOUS ORANGE
 - CALCULATED WEIGHT: 2,065 LB.
 - DESIGNED AND MANUFACTURED TO MEET OR EXCEED ASME B30.20 AND BTH-1, DESIGN CATEGORY B, SERVICE CLASS O.

<input type="checkbox"/> 1/2" TYP. UNLESS OTHERWISE SPECIFIED UNLESS OTHERWISE NOTED, DIMENSIONS ARE IN INCHES & DECIMALS ARE: .01 TO .49 ±.0005 .50 TO 1.99 ±.001 2.00 TO 99.99 ±.002 100 TO 999.99 ±.005 1000 ±.010		<input type="checkbox"/> 1" TYP. UNLESS OTHERWISE SPECIFIED UNLESS OTHERWISE NOTED, DIMENSIONS ARE IN INCHES & DECIMALS ARE: .01 TO .49 ±.0005 .50 TO 1.99 ±.001 2.00 TO 99.99 ±.002 100 TO 999.99 ±.005 1000 ±.010			TITLE AZ34A00-00A-PA ELECTRIC LOAD-LEVELER
THIS DOCUMENT CONTAINS DATA WHICH IS THE PROPERTY OF TANDEMLOC, INC. NO REPRODUCTION OR TRANSMISSION IN ANY FORM OR BY ANY MEANS, ELECTRONIC OR MECHANICAL, INCLUDING PHOTOCOPYING, RECORDING, OR BY ANY INFORMATION STORAGE AND RETRIEVAL SYSTEM, IS EXPRESSLY PROHIBITED.	APPROVALS DESIGN: LPC DATE: 11-22-23	SCALE: 1"=65059' SHEET: 1 OF 2	DATE: 11-22-23 DRAWN: LPC CHECKED: SAZ34A00 SCALE: 1"=65059' SHEET: 1 OF 2		

REVISIONS			
REV	DESCRIPTION	DATE	APPROVED
A	1.88 WAS 2.50, 114.19 WAS 120.00	12-01-23	DAH



©2023 by Tandemloc, Inc.
 Dimensions are subject to manufacturing tolerance and change.

**** DO NOT SIGN IF CHANGES ARE REQUIRED ****
 CUSTOMER APPROVAL: _____
 DATE: _____

- NOTES:
- PART NO.: AZ34A00-00A-PA, ELECTRIC LOAD-LEVELER
 - WLL: 75,000 LB.
 - PROOF TESTED TO 125% (93,750 LB.) AND CERTIFIED
 - STANDARD SPECIFICATION # EAD21000A APPLIES
 - FINISH: SANDBLAST AND PRIME AND PAINT SW6883 RAUCOUS ORANGE
 - CALCULATED WEIGHT: 2,065 LB.
 - DESIGNED AND MANUFACTURED TO MEET OR EXCEED ASME B30.20 AND BTH-1, DESIGN CATEGORY B, SERVICE CLASS O.

<input type="checkbox"/> 1/2" TYP. UNLESS OTHERWISE SPECIFIED UNLESS OTHERWISE NOTED, DIMENSIONS ARE IN INCHES & DECIMALS ARE: .01 TO .49 ±.0005 .50 TO 1.99 ±.001 2.00 TO 99.99 ±.002 100 TO 999.99 ±.005 1000 ±.010		<input type="checkbox"/> 1" TYP. UNLESS OTHERWISE SPECIFIED UNLESS OTHERWISE NOTED, DIMENSIONS ARE IN INCHES & DECIMALS ARE: .01 TO .49 ±.0005 .50 TO 1.99 ±.001 2.00 TO 99.99 ±.002 100 TO 999.99 ±.005 1000 ±.010			TITLE AZ34A00-00A-PA ELECTRIC LOAD-LEVELER
THIS DOCUMENT CONTAINS DATA WHICH IS THE PROPERTY OF TANDEMLOC, INC. NO REPRODUCTION OR TRANSMISSION IN ANY FORM OR BY ANY MEANS, ELECTRONIC OR MECHANICAL, INCLUDING PHOTOCOPYING, RECORDING, OR BY ANY INFORMATION STORAGE AND RETRIEVAL SYSTEM, IS EXPRESSLY PROHIBITED.	APPROVALS DESIGN: LPC DATE: 11-22-23	SCALE: 1"=65059' SHEET: 2 OF 2	DATE: 11-22-23 DRAWN: LPC CHECKED: SAZ34A00 SCALE: 1"=65059' SHEET: 2 OF 2		